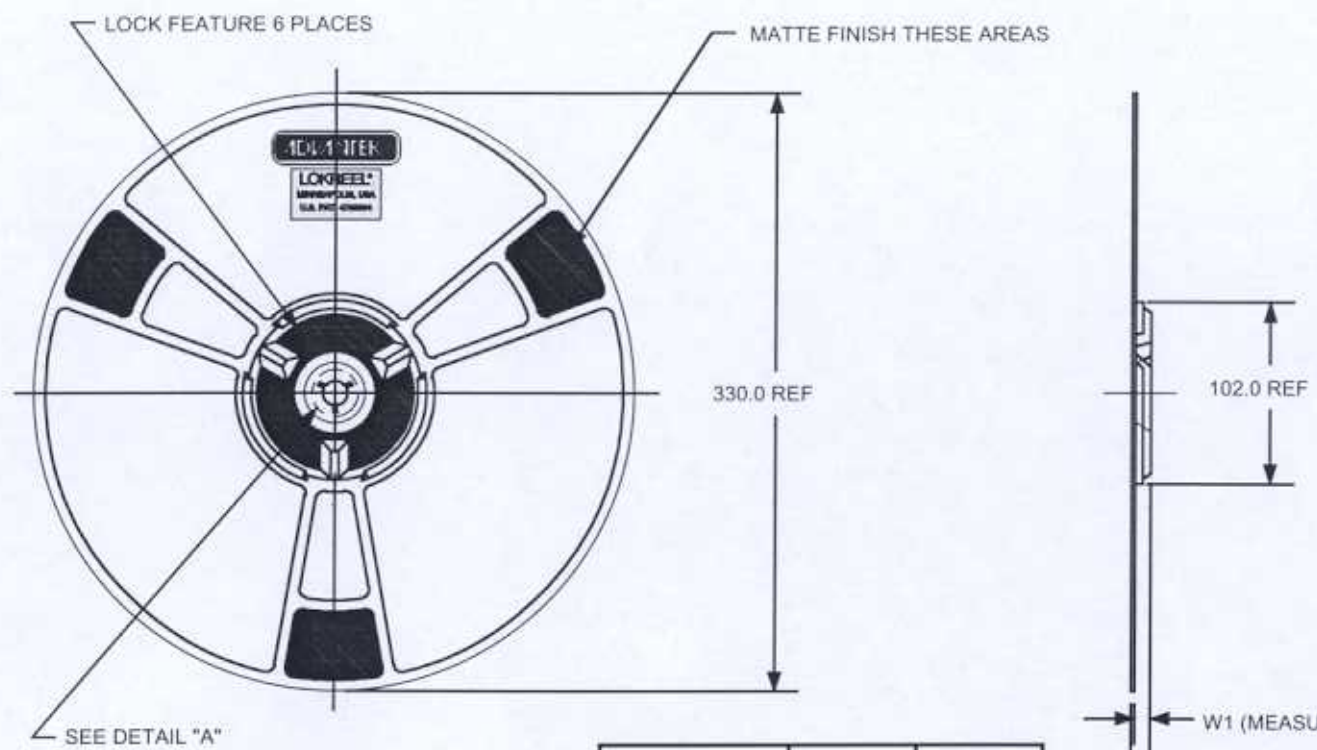
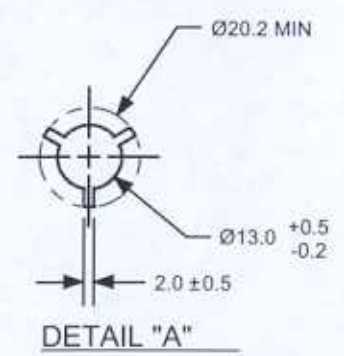


REVISIONS				
NO.	DESCRIPTION	DATE	BY	
1	ADDED STACKING RIDGE	9/1/93	T.S.	
2	REVISED STACKING RIDGE. ADDED 28mm HUB. PART REDRAWN	8/24/95	T.S.	
3	DELETED TITLE BLOCK TOLERANCE	8/27/96	T.S.	
4	Added Patent Note	9/10/95	T.S.	



NOMINAL HUB DEPTH	W_1 ⁺³ / ₋₂	W_2 MAX
4mm	4.4	7.1
8mm	8.4	11.1
16mm	16.4	19.1
28mm	28.4	31.1



U.S. PATENT 4726534

- All Dimensions in Millimeters -

TOLERANCES (EXCEPT AS NOTED)	330mm LOKREEL, 4" HUB			
DECIMAL	A			
FRACTIONAL	DRAWN BY T.S.	SCALE NONE	MATERIAL N/A	
±	CHKD	DATE 2/24/93	DRAWING NO. A0224-93-1	
ANGULAR	TRACED	APPD		4
±				