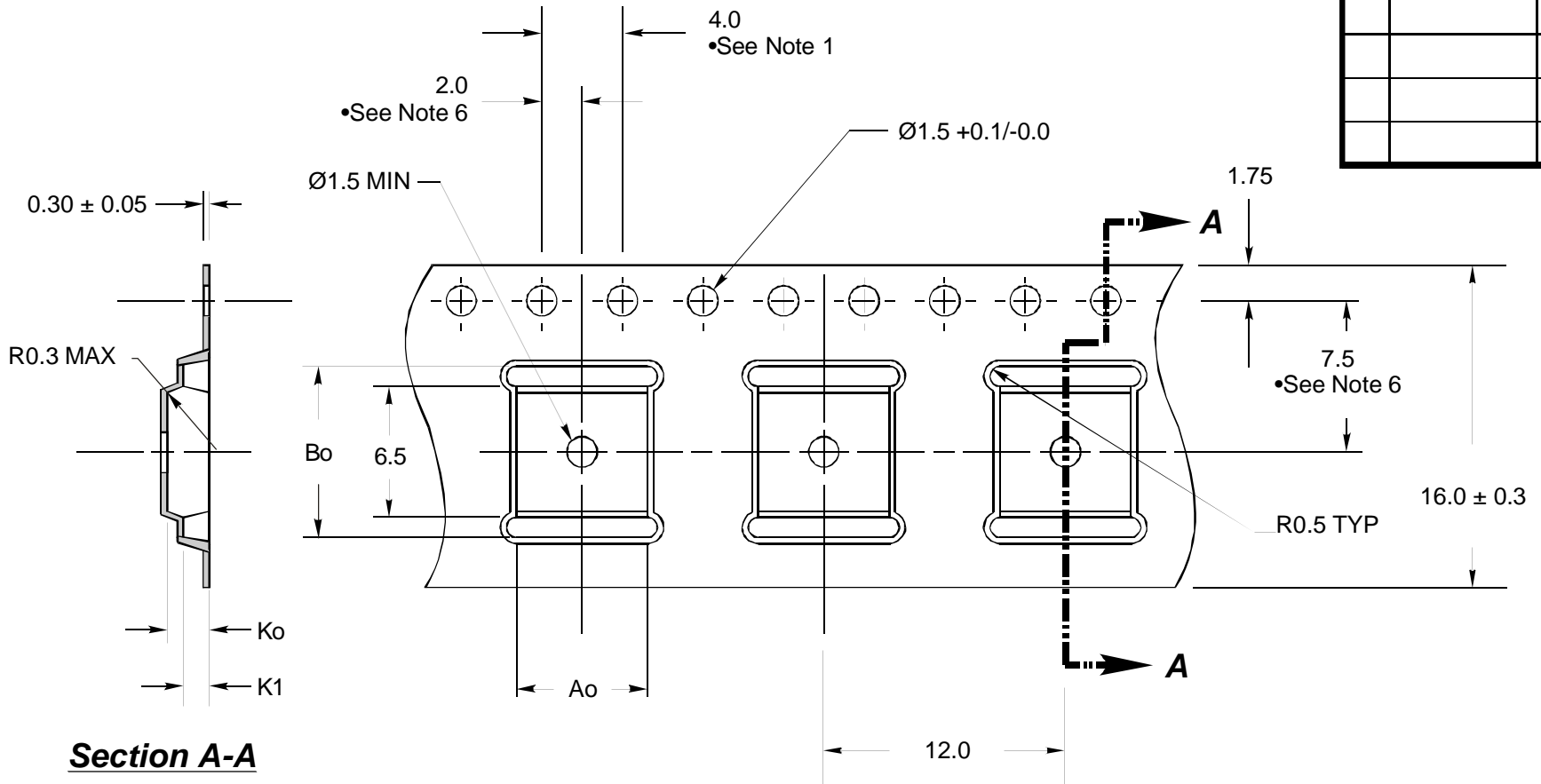


REVISIONS			
NO.	DESCRIPTION	DATE	BY



**Section A-A**

Notes:

- 10 sprocket hole pitch cumulative tolerance  $\pm 0.02$ .
- Camber not to exceed 1mm in 100mm.
- Material: PS + C.
- $A_o$  and  $B_o$  measured on a plane 0.3mm above the bottom of the pocket
- $K_o$  measured from a plane on the inside bottom of the pocket to the top surface of the carrier.
- Pocket position relative to sprocket hole measured as true position of pocket, not pocket hole.

$A_o = 6.5$  mm  
 $B_o = 8.5$  mm  
 $K_o = 2.1$  mm  
 $K_1 = 1.3$  mm

-All Dimensions in Millimeters-

TOLERANCES (EXCEPT AS NOTED)	Advantek Part Number BG0608-A Carrier Tape		
DECIMAL $\pm 0.1$	a		
FRACTIONAL $\pm$	DRAWN BY TMO	SCALE 3:1	MATERIAL See Note 3
ANGULAR $\pm$	REFERENCENO. T-8369	DATE 01/27/99	DRAWINGNO. T102027AT
			REV